

## STL mini

8 W Recessed Mounted Single Module  
Linear LED Luminaire

Order Code : 3095514  
Product Code : STL 008A 40OD00 0K7 60TK3I LN2XMN



### Product Data

#### Standard Features

Housing	: RAL 7047 Powder finished aluminum extrusion housing, aluminum injection cover
Diffuser	: Glare minimizing highly permeable diffuser
Ceiling Type	: Plasterboard
IP Grade	: IP40
Installation	: Recessed mounted
Light Source	: Mid Power LED

#### Optical & Electrical Features

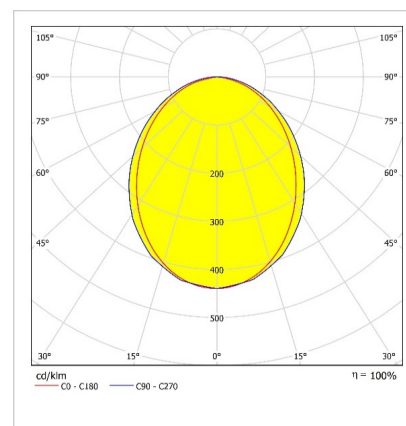
Power Consumption	: 8.8 W
Final Luminous Flux	: 807.3 lm
Efficacy	: 90.8 lm/W
Input Voltage	: 220-240 V AC
Frequency	: 50-60 Hz
Power Factor	: > 0,9
Surge Transient Protection	: 1 kV
Drive Current	: 200 mA
Correlated Color Temperature	: 4000K
Color Rendering Index	: >80

\*There is ±%10 tolerance in the technical values.

#### Other Features & Conditions

Operating Temperature Range	: -25 °C/+40 °C
Impact Resistance	: IK02
Led Life Time - L70	: > 72.000 hours @Ta= 40 °C

### Photometric Curve



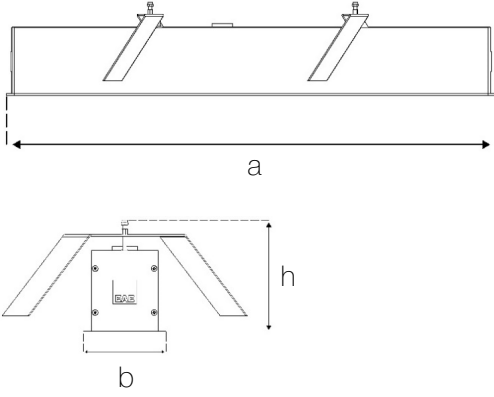
#### Optional Features

Correlated Color Temperatures	: 2700K, 3000K
Emergency Kit Options	: No
DALI Option	: Yes
Color Option	: RAL 9005

## STL mini

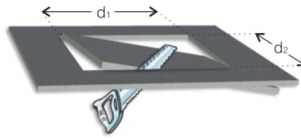
8 W Recessed Mounted Single Module Linear LED Luminaire

3095514 STL 008A 40OD00 0K7 60TK3I LN2XMN



Dimensions (mm)

	a	b	h	d <sup>1</sup> , d <sup>2</sup>
Single Module	626	70	120	615x58
Starting Module	612	70	120	605x58
Finishing Module	612	70	120	605x58
Intermediate Module	602	70	120	602x58



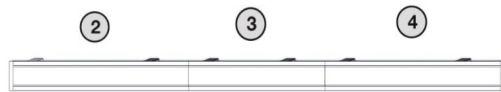
Weight (kg)

Standard 2,3

### Installation System



Single (TK)



Starting (BS) Intermediate (AR) Finishing (SN)



Starting (BS) Finishing (SN)

1

Ordering Code : 3095514

Product Code : STL 008A 40OD00 0K7  
60TK3I LN2XMN

Module Model : Single (TK)

2

Ordering Code : 3095515

Product Code : STL 008A 40OD00 0K7  
60BS3I LN2XMN

Module Model : Starting (BS)

3

Ordering Code : 3095513

Product Code : STL 008A 40OD00 0K7  
60AR3I LN2XMN

Module Model : Intermediate (AR)

4

Ordering Code : 3095516

Product Code : STL 008A 40OD00 0K7  
60SN3I LN2XMN

Module Model : Finishing (SN)

- EAE, reserves the right to make changes without prior notice.



Revision date: 09.02.2020