

STL mini

12 W Recessed Mounted Single Module
Linear LED Luminaire

Order Code : 3095544
Product Code : STL 012A 40OD00 1K0 90TK3I LN3XMN



Product Data

Standard Features

Housing	: RAL 7047 Powder finished aluminum extrusion housing, aluminum injection cover
Diffuser	: Glare minimizing highly permeable diffuser
Ceiling Type	: Plasterboard
IP Grade	: IP40
Installation	: Recessed mounted
Light Source	: Mid Power LED

Optical & Electrical Features

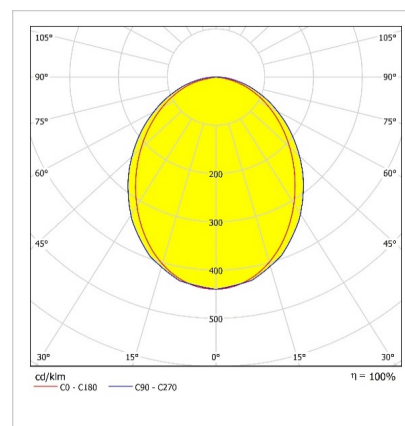
Power Consumption	: 12 W
Final Luminous Flux	: 1215.8 lm
Efficacy	: 101 lm/W
Input Voltage	: 220-240 V AC
Frequency	: 50-60 Hz
Power Factor	: > 0,9
Surge Transient Protection	: 1 kV
Drive Current	: 300 mA
Correlated Color Temperature	: 4000K
Color Rendering Index	: >80

*There is ±%10 tolerance in the technical values.

Other Features & Conditions

Operating Temperature Range	: -25 °C/+40 °C
Impact Resistance	: IK02
Led Life Time - L70	: > 72.000 hours @Ta= 40 °C

Photometric Curve



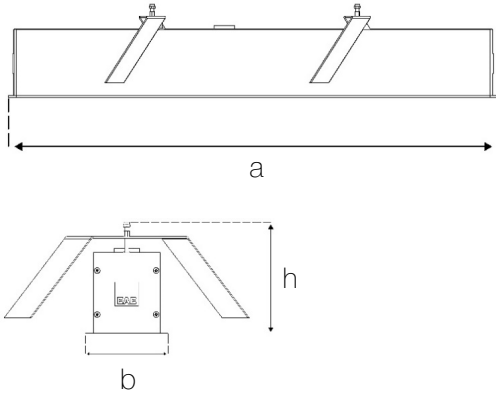
Optional Features

Correlated Color Temperatures	: 2700K, 3000K
Emergency Kit Options	: No
DALI Option	: Yes
Color Option	: RAL 9005

STL mini

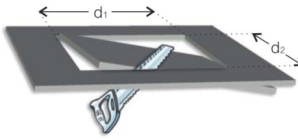
12 W Recessed Mounted Single Module Linear LED Luminaire

3095544 STL 012A 400D00 1K0 90TK3I LN3XMN



Dimensions (mm)

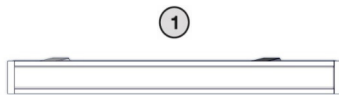
	a	b	h	d ¹ , d ²
Single Module	925	70	120	911.5x58
Starting Module	911	70	120	905x58
Finishing Module	911	70	120	905x58
Intermediate Module	901.5	70	120	901x58



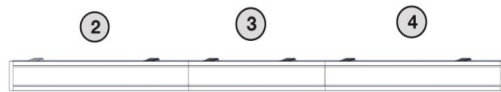
Weight (kg)

Standard 3,1

Installation System



Single (TK)



Starting (BS) Intermediate (AR) Finishing (SN)



Starting (BS) Finishing (SN)

1

Ordering Code : 3095544

Product Code : STL 012A 400D00 1K0
90TK3I LN3XMN

Module Model : Single (TK)

2

Ordering Code : 3095542

Product Code : STL 012A 400D00 1K0
90BS3I LN3XMN

Module Model : Starting (BS)

3

Ordering Code : 3095541

Product Code : STL 012A 400D00 1K0
90AR3I LN3XMN

Module Model : Intermediate (AR)

4

Ordering Code : 3095543

Product Code : STL 012A 400D00 1K0
90SN3I LN3XMN

Module Model : Finishing (SN)

- EAE, reserves the right to make changes without prior notice.



EAE Aydınlatma A.Ş.
İkitelli Organize Sanayi Bölgesi Eski Turgut Özal Caddesi No:20 Başakşehir / İSTANBUL-TÜRKİYE Phone: +90 212 413 21 00 (pbx) Fax: +90 212 549 37 90
www.eaeaydinlatma.com.tr

Revision date: 09.02.2020