

## STL mini

24 W Recessed Mounted Single Module  
Linear LED Luminaire

Order Code : 3095732  
Product Code : STL 024A 40OD00 2K1 180TK3I LN6XMN



### Product Data

#### Standard Features

Housing	: RAL 7047 Powder finished aluminum extrusion housing, aluminum injection cover
Diffuser	: Glare minimizing highly permeable diffuser
Ceiling Type	: Plasterboard
IP Grade	: IP40
Installation	: Recessed mounted
Light Source	: Mid Power LED

#### Optical & Electrical Features

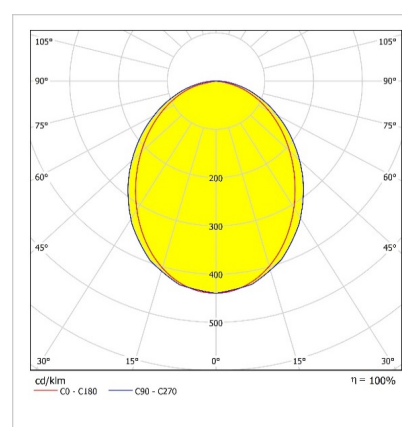
Power Consumption	: 23.2 W
Final Luminous Flux	: 2445.2 lm
Efficacy	: 105.2 lm/W
Input Voltage	: 220-240 V AC
Frequency	: 50-60 Hz
Power Factor	: > 0,9
Surge Transient Protection	: 1 kV
Drive Current	: 600 mA
Correlated Color Temperature	: 4000K
Color Rendering Index	: >80

\*There is  $\pm 10\%$  tolerance in the technical values.

#### Other Features & Conditions

Operating Temperature Range	: -25 °C/+40 °C
Operating Temperature Range With Emergency Kit	: +5 °C/+35 °C
Impact Resistance	: IK02
Led Life Time - L70	: > 72.000 hours @Ta= 40 °C

### Photometric Curve



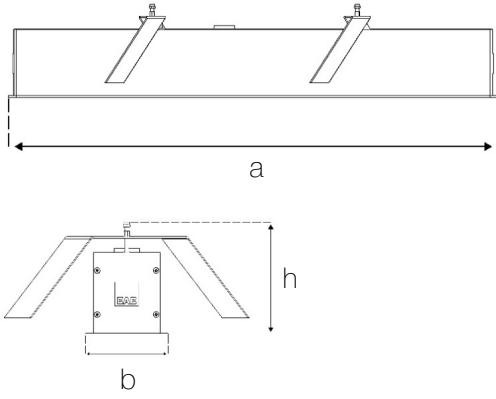
#### Optional Features

Correlated Color Temperatures	: 2700K, 3000K
Emergency Kit Options	: 1, 3 hours
DALI Option	: Yes
Color Option	: RAL 9005

## STL mini

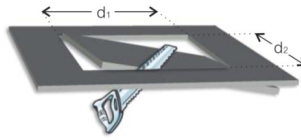
24 W Recessed Mounted Single Module Linear LED Luminaire

3095732 STL 024A 40OD00 2K1 180TK3I LN6XMN



Dimensions (mm)

	a	b	h	d <sup>1</sup> , d <sup>2</sup>
Single Module	1824	70	120	1810x58
Starting Module	1810	70	120	1805x58
Finishing Module	1810	70	120	1805x58
Intermediate Module	1805	70	120	1805x58



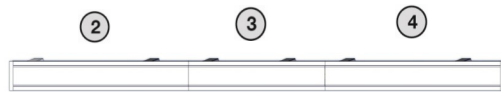
Weight (kg)

Standard	5,5
With Emergency Kit (1 hr.)	5,8
With Emergency Kit (3 hrs.)	5,8

### Installation System



Single (TK)



Starting (BS) Intermediate (AR) Finishing (SN)



Starting (BS) Finishing (SN)

1

Ordering Code : 3095732  
Product Code : STL 024A 40OD00 2K1  
180TK3I LN6XMN  
Module Model : Single (TK)

2

Ordering Code : 3095730  
Product Code : STL 024A 40OD00 2K1  
180BS3I LN6XMN  
Module Model : Starting (BS)

3

Ordering Code : 3095729  
Product Code : STL 024A 40OD00 2K1  
180AR3I LN6XMN  
Module Model : Intermediate (AR)

4

Ordering Code : 3095731  
Product Code : STL 024A 40OD00 2K1  
180SN3I LN6XMN  
Module Model : Finishing (SN)

- EAE, reserves the right to make changes without prior notice.



EAE Aydınlatma A.Ş.  
İkitelli Organize Sanayi Bölgesi Eski Turgut Özal Caddesi No:20 Başakşehir / İSTANBUL-TÜRKİYE Phone: +90 212 413 21 00 (pbx) Fax: +90 212 549 37 90  
www.eaeaydinlatma.com.tr

Revision date: 09.02.2020