

STL mini

13 W Recessed Mounted Single Module
Linear LED Luminaire

Order Code : 3095778
Product Code : STL 014A 40OD00 1K2 60TK3I LN2XMN



Product Data

Standard Features

Housing	: RAL 7047 Powder finished aluminum extrusion housing, aluminum injection cover
Diffuser	: Glare minimizing highly permeable diffuser
Ceiling Type	: Plasterboard
IP Grade	: IP40
Installation	: Recessed mounted
Light Source	: Mid Power LED

Optical & Electrical Features

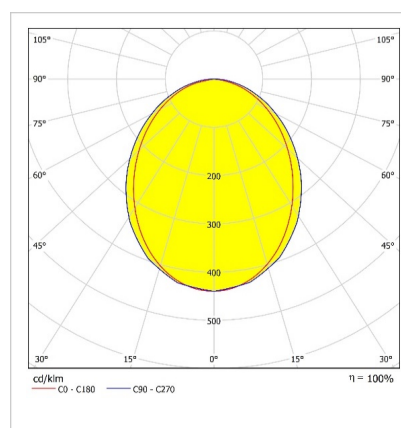
Power Consumption	: 13.1 W
Final Luminous Flux	: 1364 lm
Efficacy	: 103.8 lm/W
Input Voltage	: 220-240 V AC
Frequency	: 50-60 Hz
Power Factor	: > 0,9
Surge Transient Protection	: 1 kV
Drive Current	: 350 mA
Correlated Color Temperature	: 4000K
Color Rendering Index	: >80

*There is $\pm 10\%$ tolerance in the technical values.

Other Features & Conditions

Operating Temperature Range	: -25 °C/+40 °C
Impact Resistance	: IK02
Led Life Time - L70	: > 72.000 hours @Ta= 40 °C

Photometric Curve



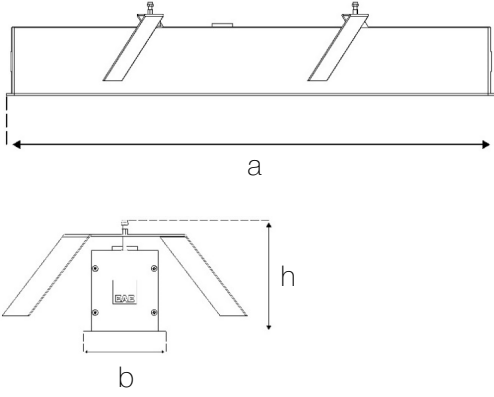
Optional Features

Correlated Color Temperatures	: 2700K, 3000K
Emergency Kit Options	: No
DALI Option	: Yes
Color Option	: RAL 9005

STL mini

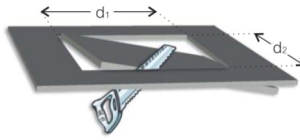
13 W Recessed Mounted Single Module Linear LED Luminaire

3095778 STL 014A 40OD00 1K2 60TK3I LN2XMN



Dimensions (mm)

	a	b	h	d ¹ , d ²
Single Module	626	70	120	615x58
Starting Module	612	70	120	605x58
Finishing Module	612	70	120	605x58
Intermediate Module	602	70	120	602x58



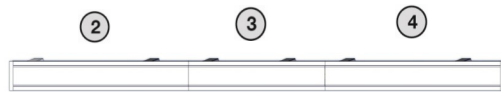
Weight (kg)

Standard 2,3

Installation System



Single (TK)



Starting (BS) Intermediate (AR) Finishing (SN)



Starting (BS) Finishing (SN)

1

Ordering Code : 3095778

Product Code : STL 014A 40OD00 1K2
60TK3I LN2XMN

Module Model : Single (TK)

2

Ordering Code : 3095779

Product Code : STL 014A 40OD00 1K2
60BS3I LN2XMN

Module Model : Starting (BS)

3

Ordering Code : 3095777

Product Code : STL 014A 40OD00 1K2
60AR3I LN2XMN

Module Model : Intermediate (AR)

4

Ordering Code : 3095780

Product Code : STL 014A 40OD00 1K2
60SN3I LN2XMN

Module Model : Finishing (SN)

• EAE, reserves the right to make changes without prior notice.



EAE Aydınlatma A.Ş.

İkitelli Organize Sanayi Bölgesi Eski Turgut Özal Caddesi No:20 Başakşehir / İSTANBUL-TÜRKYE Phone: +90 212 413 21 00 (pbx) Fax: +90 212 549 37 90
www.eaeaydinlatma.com.tr

Revision date: 09.02.2020