



STL mini

31 W Recessed Mounted Single Module
Linear LED Luminaire

Order Code : 3095911
Product Code : STL 037A 40OD00 3K2 150TK3I LN4XMN



Product Data

Standard Features

Housing	: RAL 7047 Powder finished aluminum extrusion housing, aluminum injection cover
Diffuser	: Glare minimizing highly permeable diffuser
Ceiling Type	: Plasterboard
IP Grade	: IP40
Installation	: Recessed mounted
Light Source	: Mid Power LED

Optical & Electrical Features

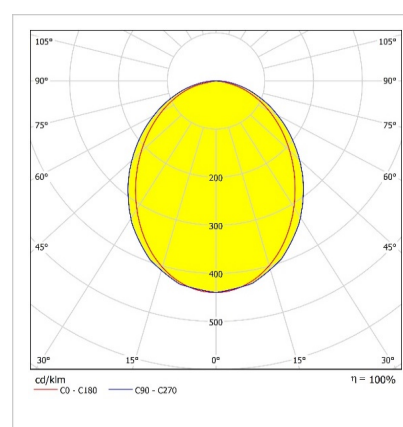
Power Consumption	: 31.5 W
Final Luminous Flux	: 3069.9 lm
Efficacy	: 97.1 lm/W
Input Voltage	: 220-240 V AC
Frequency	: 50-60 Hz
Power Factor	: > 0,9
Surge Transient Protection	: 1 kV
Drive Current	: 925 mA
Correlated Color Temperature	: 4000K
Color Rendering Index	: >80

*There is ±%10 tolerance in the technical values.

Other Features & Conditions

Operating Temperature Range	: -25 °C/+40 °C
Operating Temperature Range With Emergency Kit	: +5 °C/+35 °C
Impact Resistance	: IK02
Led Life Time - L70	: > 72.000 hours @Ta= 40 °C

Photometric Curve



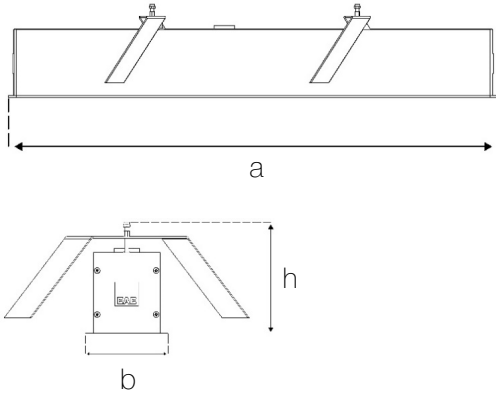
Optional Features

Correlated Color Temperatures	: 2700K, 3000K
Emergency Kit Options	: 1, 3 hours
DALI Option	: Yes
Color Option	: RAL 9005

STL mini

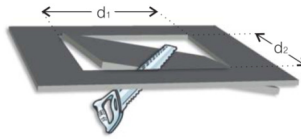
31 W Recessed Mounted Single Module Linear LED Luminaire

3095911 STL 037A 40OD00 3K2 150TK3I LN4XMN



Dimensions (mm)

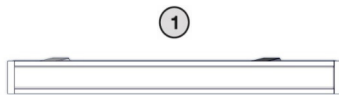
	a	b	h	d ¹ , d ²
Single Module	1524	70	120	1510.5x58
Starting Module	1510	70	120	1505x58
Finishing Module	1510	70	120	1505x58
Intermediate Module	1500	70	120	1500x58



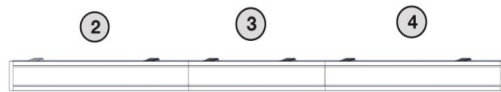
Weight (kg)

Standard	4,7
With Emergency Kit (1 hr.)	5,1
With Emergency Kit (3 hrs.)	5,1

Installation System



Single (TK)



Starting (BS) Intermediate (AR) Finishing (SN)



Starting (BS) Finishing (SN)

1

Ordering Code : 3095911
Product Code : STL 037A 40OD00 3K2
150TK3I LN4XMN
Module Model : Single (TK)

2

Ordering Code : 3095909
Product Code : STL 037A 40OD00 3K2
150BS3I LN4XMN
Module Model : Starting (BS)

3

Ordering Code : 3095908
Product Code : STL 037A 40OD00 3K2
150AR3I LN4XMN
Module Model : Intermediate (AR)

4

Ordering Code : 3095910
Product Code : STL 037A 40OD00 3K2
150SN3I LN4XMN
Module Model : Finishing (SN)

- EAE, reserves the right to make changes without prior notice.



EAE Aydınlatma A.Ş.
İkitelli Organize Sanayi Bölgesi Eski Turgut Özal Caddesi No:20 Başakşehir / İSTANBUL-TURKEY Phone: +90 212 413 21 00 (pbx) Fax: +90 212 549 37 90
www.eaeaydinlatma.com.tr

Revision date: 09.02.2020