

STL mini

48 W Recessed Mounted Single Module
Linear LED Luminaire

Order Code : 3095996
Product Code : STL 048A 40OD00 4K2 180TK3I LN6XMN



Product Data

Standard Features

Housing	: RAL 7047 Powder finished aluminum extrusion housing, aluminum injection cover
Diffuser	: Glare minimizing highly permeable diffuser
Ceiling Type	: Plasterboard
IP Grade	: IP40
Installation	: Recessed mounted
Light Source	: Mid Power LED

Optical & Electrical Features

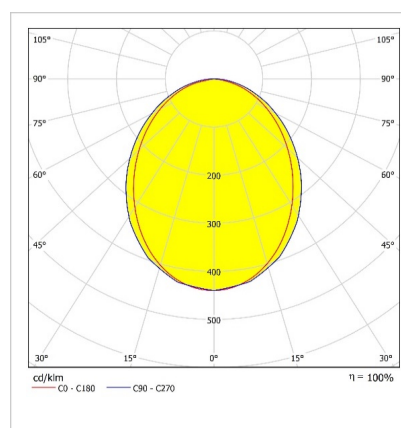
Power Consumption	: 47.8 W
Final Luminous Flux	: 4665.2 lm
Efficacy	: 97.5 lm/W
Input Voltage	: 220-240 V AC
Frequency	: 50-60 Hz
Power Factor	: > 0,9
Surge Transient Protection	: 1 kV
Drive Current	: 1200 mA
Correlated Color Temperature	: 4000K
Color Rendering Index	: >80

*There is ±%10 tolerance in the technical values.

Other Features & Conditions

Operating Temperature Range	: -25 °C/+40 °C
Operating Temperature Range With Emergency Kit	: +5 °C/+35 °C
Impact Resistance	: IK02
Led Life Time - L70	: > 72.000 hours @Ta= 40 °C

Photometric Curve



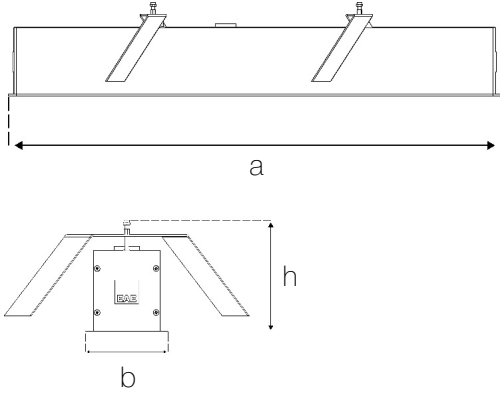
Optional Features

Correlated Color Temperatures	: 2700K, 3000K
Emergency Kit Options	: 1, 3 hours
DALI Option	: Yes
Color Option	: RAL 9005

STL mini

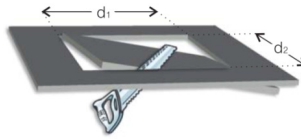
48 W Recessed Mounted Single Module Linear LED Luminaire

3095996 STL 048A 40OD00 4K2 180TK3I LN6XMN



Dimensions (mm)

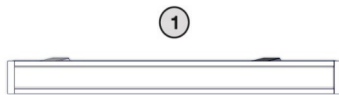
	a	b	h	d ¹ , d ²
Single Module	1824	70	120	1810x58
Starting Module	1810	70	120	1805x58
Finishing Module	1810	70	120	1805x58
Intermediate Module	1805	70	120	1805x58



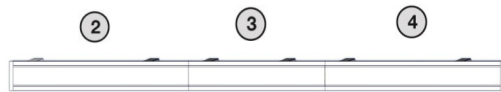
Weight (kg)

Standard	5,5
With Emergency Kit (1 hr.)	5,8
With Emergency Kit (3 hrs.)	5,8

Installation System



Single (TK)



Starting (BS) Intermediate (AR) Finishing (SN)



Starting (BS) Finishing (SN)

1

Ordering Code : 3095996
Product Code : STL 048A 40OD00 4K2
180TK3I LN6XMN
Module Model : Single (TK)

2

Ordering Code : 3095994
Product Code : STL 048A 40OD00 4K2
180BS3I LN6XMN
Module Model : Starting (BS)

3

Ordering Code : 3095993
Product Code : STL 048A 40OD00 4K2
180AR3I LN6XMN
Module Model : Intermediate (AR)

4

Ordering Code : 3095995
Product Code : STL 048A 40OD00 4K2
180SN3I LN6XMN
Module Model : Finishing (SN)

- EAE, reserves the right to make changes without prior notice.



EAE Aydınlatma A.Ş.
İkitelli Organize Sanayi Bölgesi Eski Turgut Özal Caddesi No:20 Başakşehir / İSTANBUL-TURKEY Phone: +90 212 413 21 00 (pbx) Fax: +90 212 549 37 90
www.eaeaydinlatma.com.tr