



## KRIZA V.2

Recessed Mounted 20 W Spot LED Luminaire

Order Code : 3236284  
Product Code : KRZ 020A 40SD00 40 2K1 1X V.2 FLP



### Product Data

#### Standard Features

Housing	: Aluminium extrusion housing
Diffuser	: 40° Reflector
Ceiling Type	: Plasterboard
IP Grade	: IP20
Installation	: Recessed mounted
Light Source	: COB LED
Electronic Control	: On/Off

#### Optical & Electrical Features

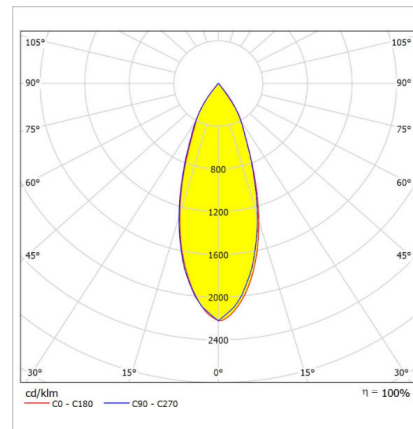
Power Consumption	: 20 W
Final Luminous Flux	: 2143 lm
Efficacy	: 107.14 lm/W
Input Voltage	: 220-240 V AC
Frequency	: 50-60 Hz
Power Factor	: Cos $\phi$ > 0,9
Correlated Color Temperature	: 4000K
Color Rendering Index	: >80

\* There is  $\pm$  10% Tolerance in Technical Values.

#### Other Features & Conditions

Operating Temperature Range	: -5 °C/+45 °C
Impact Resistance	: IK02
Led Life Time - L70	: > 50.000 hours @Ta= 45 °C

### Photometric Curve



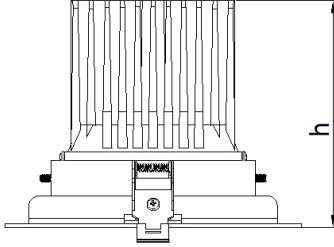
#### Optional Features

Correlated Color Temperatures	: 2700K, 3000K, 6500K
Emergency Kit Options	: 1, 3 hours
DALI Option	: Yes
Degree Option	: 24°, 60°

## KRIZA V.2

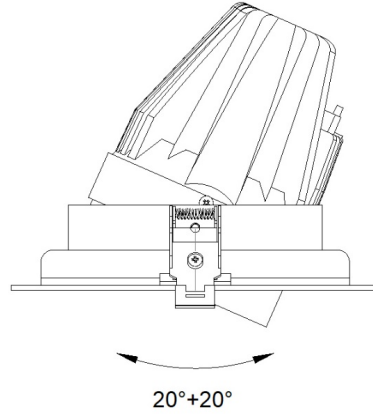
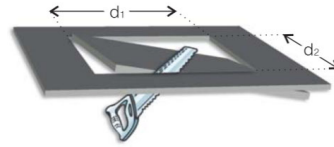
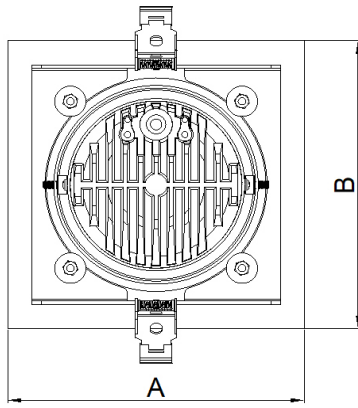
Recessed Mounted 20 W Spot LED Luminaire

3236284 KRZ 020A 40SD00 40 2K1 1X V.2 FLP



Dimensions (mm)

	A	B	h	axb
Standard	155	155	122	140x140



- EAE, reserves the right to make changes without prior notice.

**engineering the light**

**EAE Aydınlatma A.Ş.**

İkitelli Organize Sanayi Bölgesi Eski Turgut Özal Caddesi No:20 Başakşehir / İSTANBUL-TURKEY Phone: +90 212 413 21 00 (pbx) Fax: +90 212 549 37 90  
[www.eaeaydinlatma.com.tr](http://www.eaeaydinlatma.com.tr)

Revision date: 24.03.2021