



ORI-K MINI

Recessed Mounted 8 W Spot LED Luminaire

Order Code : 3238544
Product Code : ORI 008A 40SD00 36 695 20 MN KR FLP



Product Data

Standard Features

Housing	: Aluminium housing
Diffuser	: Transparent diffuser
Ceiling Type	: Plasterboard
IP Grade	: IP20
Installation	: Recessed mounted
Light Source	: COB LED
Electronic Control	: On/Off

Optical & Electrical Features

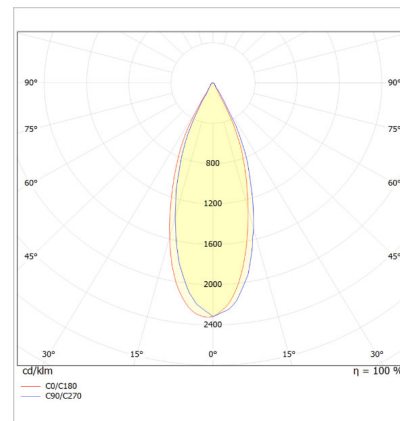
Power Consumption	: 8 W
Final Luminous Flux	: 866,8 lm
Efficacy	: 103.18 lm/W
Input Voltage	: 220-240 V AC
Frequency	: 50-60 Hz
Power Factor	: Cos ϕ > 0,9
Correlated Color Temperature	: 4000K
Color Rendering Index	: >80

* There is \pm 10% Tolerance in Technical Values.

Other Features & Conditions

Operating Temperature Range	: -5 °C/+45 °C
Impact Resistance	: IK02
Led Life Time - L70	: > 50.000 hours @Ta= 45 °C

Photometric Curve



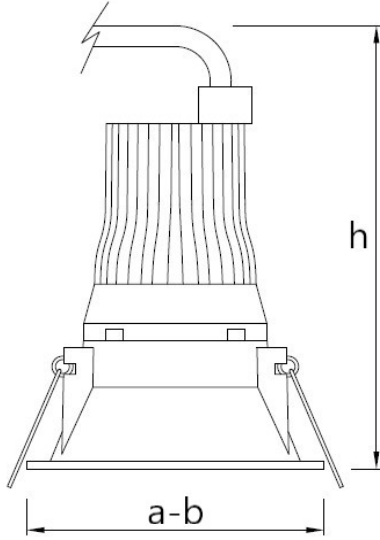
Optional Features

Correlated Color Temperatures	: 2700K / 3000K / 4000K / 6500K
Emergency Kit Options	: 1, 3 hours
DALI Option	: Yes
Degree Option	: 24° - 36°

OR-K MINI

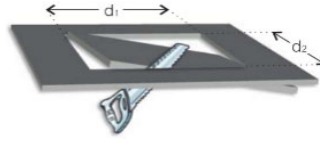
Recessed Mounted 8 W Spot LED Luminaire

3238544 ORI 008A 40SD00 36 695 20 MN KR FLP



Dimensions (mm)

	a	b	h	d ¹ ,d ²
Standart	85	85	115	75x75



- EAE, reserves the right to make changes without prior notice.

engineering the light

EAE Aydınlatma A.Ş.

İkitelli Organize Sanayi Bölgesi Eski Turgut Özal Caddesi No:20 Başakşehir / İSTANBUL-TURKEY Phone: +90 212 413 21 00 (pbx) Fax: +90 212 549 37 90
www.eaeaydinlatma.com.tr

Revision date: 08.10.2020