

Order Code : 3246343  
 Product Code : COZ 035U 40OD00 4K1 085 ST BPL V.2

## BPL

Surface Mounted 35 W Etanj LED Luminaire



### Product Data

#### Standard Features

Housing	: Co-extrusion housing and plastic termination
Optic	: PC diffuser
IP Grade	: IP65
Installation	: Surface mounted
Light Source	: Mid Power LED
Electronic Control	: On-Off

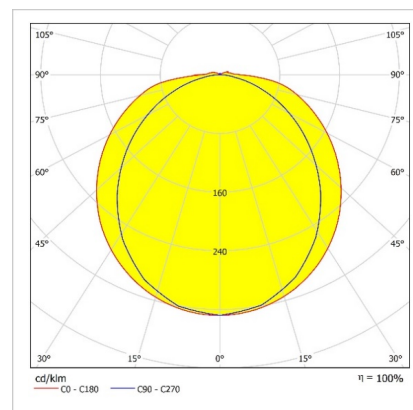
#### Optical & Electrical Features

Power Consumption	: 34.2 W
Final Luminous Flux	: 4163.8 lm
Efficacy	: 121.5 lm/W
Input Voltage	: 220-240 V AC
Frequency	: 50-60 Hz
Power Factor	: > 0,9
Surge Transient Protection	: 1 kV
Drive Current	: 900 mA
Correlated Color Temperature	: 4000K
Color Rendering Index	: >80

#### Other Features & Conditions

Operating Temperature Range	: -20 °C/+40 °C
Operating Temperature Range With Emergency Kit	: +5 °C/+35 °C
Impact Resistance	: IK09
Led Life Time - L70	: > 72.000 hours @Ta= 40 °C

### Photometric Curve



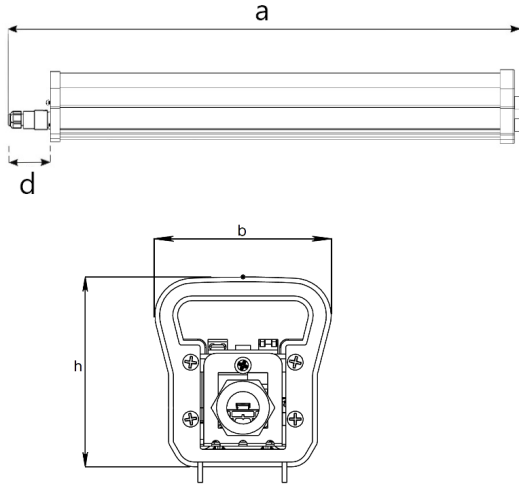
#### Optional Features

Correlated Color Temperatures	: 3000K, 5700K, 6500K
Emergency Kit Options	: 1, 3 hours
Sensor	: Yes

# BPL

## Surface Mounted 35 W Etanj LED Luminaire

3246343 COZ 035U 40OD00 4K1 085 ST BPL V.2



### Dimension (mm)

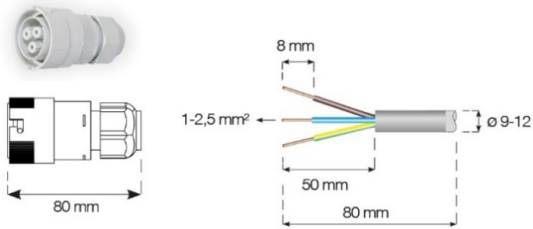
	a	b	h	d
Standard	825	70	75	26
With Emergency Kit (1 hr.)	825	70	75	26
With Emergency Kit (3 hrs.)	825	70	75	26
With Sensor	931	70	75	26

### Weight (kg)

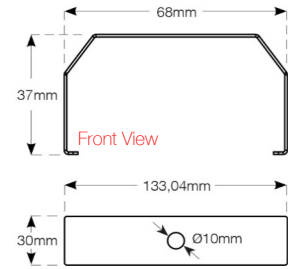
Standard	1,5
With Emergency Kit (1 hr.)	2
With Emergency Kit (3 hrs.)	2,5
With Sensor	1,7



## Suspension Set



Stainless steel  
suspension set



Top View

- EAE, reserves the right to make changes without prior notice.



Revision date: 24.11.2021