



HBL IP65 LOWBAY

Surface Mounted 114 W LED High Bay Luminaire



Order Code : 3268172
 Product Code : HBL 114U 400A00 90 17K6 IP65

Product Data

Standard Features

| | |
|--------------|---|
| Housing | : SW 306G painted aluminium injection housing |
| Optic | : Lens 90° |
| Diffuser | : PMMA/PC |
| IP Grade | : IP65 |
| Installation | : Surface mounted / Pendant |
| Light Source | : Mid Power LED |

Optical & Electrical Features

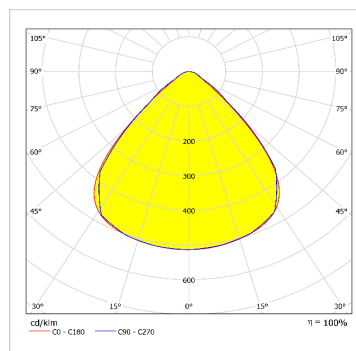
| | |
|------------------------------|----------------|
| Power Consumption | : 114 W |
| Final Luminous Flux | : 17637 lm |
| Efficacy | : 155 lm/W |
| Input Voltage | : 220-240 V AC |
| Frequency | : 50-60 Hz |
| Power Factor | : > 0,9 |
| Surge Transient Protection | : 4 kV |
| Drive Current | : 525 mA |
| Correlated Color Temperature | : 4000K |
| Color Rendering Index | : >80 |
| Photo-biologic Risk Group | : RG1 |

* There is ± 10% tolerance in Technical Values.

Other Features & Conditions

| | |
|-----------------------------|-----------------------------|
| Operating Temperature Range | : -30 °C/+60 °C |
| Impact Resistance | : IK05 |
| Led Life Time - L70 | : > 72.000 hours @ Ta=60 °C |

Photometric Curve



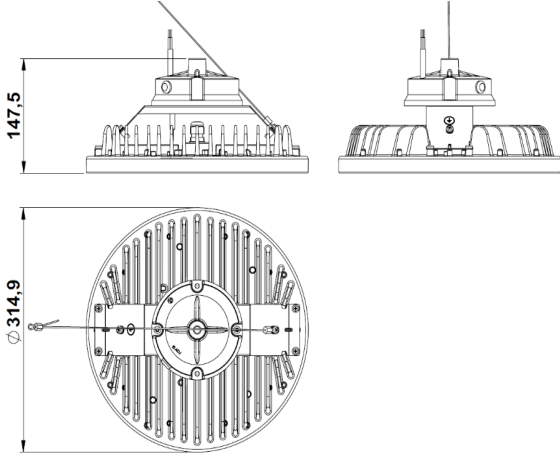
Optional Features

| | |
|-------------------------------|------------------------------|
| Correlated Color Temperatures | : 3000K, 5000K, 5700K, 6500K |
| Emergency Kit Options | : 1, 3 hours |
| DALI Option | : Yes |
| Optic Pain Option | : 55° |

HBL IP65 LOWBAY

Surface Mounted 114 W LED High Bay Luminaire

3268172 HBL 114U 400A00 90 17K6 IP65



Dimensions (mm)

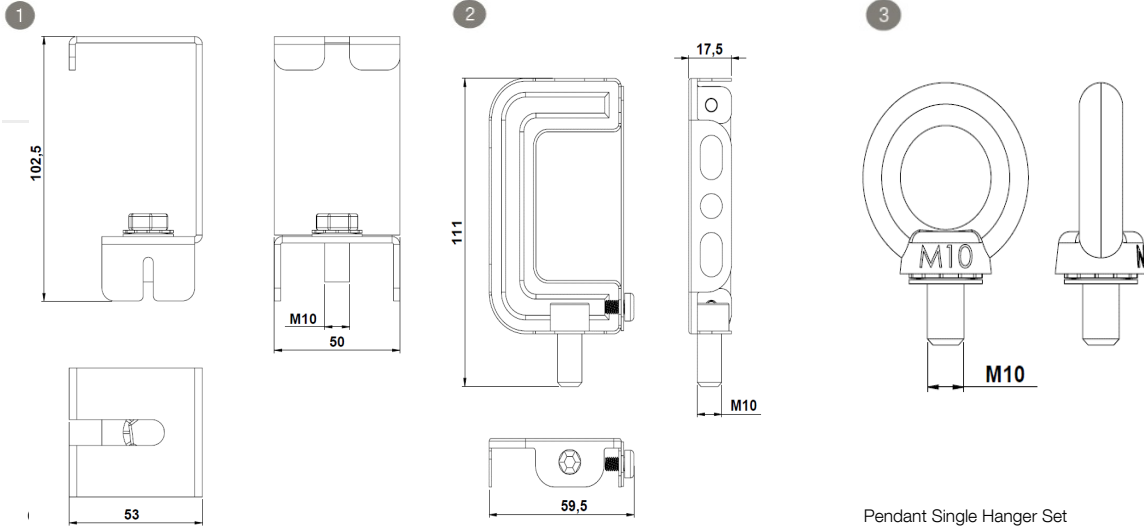
| | a | b |
|----------|-------|-------|
| Standard | 314,9 | 147,5 |

Weight (kg)

| | |
|----------|-----|
| Standard | 3,5 |
|----------|-----|



Suspension Set



Order Code : 3269523
Product Code : HBL IP65 TRAY HANGER SET

Order Code : 3269524
Product Code : HBL IP65 HANGER SET FOR BUSBAR SYSTEM

Pendant Single Hanger Set

Order Code : 3269522
Product Code : HBL IP65 PENDANT SINGLE HANGER KIT

- EAE, reserves the right to make changes without prior notice.



EAE Aydınlatma A.Ş.

İkitelli Organize Sanayi Bölgesi Eski Turgut Özal Caddesi No:20 Başakşehir / İSTANBUL-TURKEY Phone: +90 212 413 21 00 (pbx) Fax: +90 212 549 37 90
www.eaeaydinlatma.com.tr

Revision date: 19.09.2022